

Compressor Specifications

HP625 SERIES AIR COMPRESSORS

Pacbrake's heavy duty HP625 series air compressors have a 100% duty cycle (1 hour @ 100 psi) and are offered in two pump head configurations: vertical and horizontal. These ¾ horsepower compressors utilize an oil-less design, sealed bearings, a PTFE piston ring, a copper wire wound permanent magnet motor and a cast steel cylinder with a hard anodized aluminum sleeve. The HP625 series compressors require an unloader assembly when used with an air tank:

- HP10116 (12 VDC compressor)
- HP10116-24 (24 VDC compressor)

HP625 series heavy duty air compressors are designed with a cotton air intake filter located below the cylinder head. This type of filtration is acceptable when the compressor is mounted in an area free from moisture and subjected to minimal airborne debris.

Pacbrake's optional remote air intake kit (HP10115) is designed for compressor installations with significant exposure to the elements.

- Vertical (12 VDC & 24 VDC) or Horizontal (12VDC) head configuration
- Sealed bearings
- Cast steel cylinder with hard anodized aluminum sleeve
- PTFE piston ring
- Mountable in any orientation



HP10625V: Gunmetal Gray
HP10625V-B: Matte Black
12 VDC AIR COMPRESSOR (VERTICAL)

Duty Cycle: 100% (1 Hour @ 100 psi)
Max Working Pressure: 150 psi [1034 kPa]
Voltage: 12 VDC
Size: 11.5" x 6" x 9.5" (LxWxH)
 [293 mm x 153 mm x 242 mm]
Weight: 18.5 lbs [8.39 kg]



HP10625H: Gunmetal Gray
HP10625H-B: Matte Black
12 VDC AIR COMPRESSOR (HORIZONTAL)

Duty Cycle: 100% (1 Hour @ 100 psi)
Max Working Pressure: 150 psi [1034 kPa]
Voltage: 12 VDC
Size: 11.5" x 9.5" x 6" (LxWxH)
 [293 mm x 242 mm x 153 mm]
Weight: 18.5 lbs [8.39 kg]



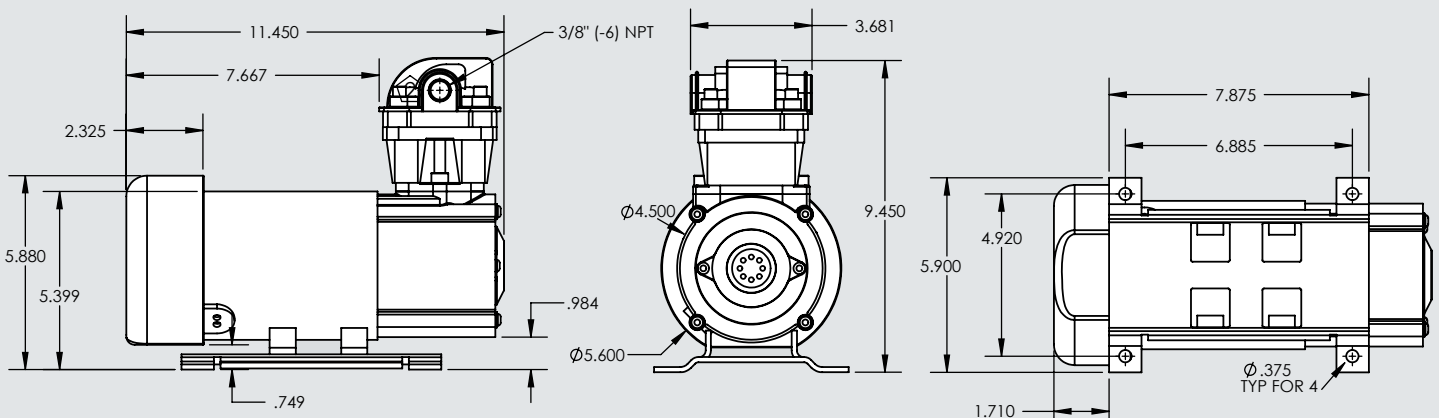
HP10625V-24: Gunmetal Gray
HP10625V-24B: Matte Black
24 VDC AIR COMPRESSOR (VERTICAL)

Duty Cycle: 100% (1 Hour @ 100 psi)
Max Working Pressure: 150 psi [1034 kPa]
Voltage: 24 VDC
Size: 11.5" x 6" x 9.5" (LxWxH)
 [293 mm x 153 mm x 242 mm]
Weight: 18.5 lbs [8.39 kg]

12 VDC TANK FILL TIME			
TANK SIZE	TANK PART #	0 to 100 psi	100 to 150 psi
½ Gallon	HP10053	12 seconds	8 seconds
2½ Gallon	HP10050	60 seconds	46 seconds
5 Gallon	HP10094	156 seconds	127 seconds

24 VDC TANK FILL TIME			
TANK SIZE	TANK PART #	0 to 100 psi	100 to 150 psi
½ Gallon	HP10053	11 seconds	9 seconds
2½ Gallon	HP10050	55 seconds	46 seconds
5 Gallon	HP10094	127 seconds	110 seconds

HP625 SERIES VERTICAL AIR COMPRESSOR (AVAILABLE IN 12 VDC & 24 VDC) DIMENSIONS (IN INCHES)



12 VDC SPECIFICATIONS

GENERAL DATA

PART NUMBER	HP10625V (Vertical), HP10625H (Horizontal)
WEIGHT	18.5 lbs [8.39 kg]
AMBIENT TEMPERATURE RANGE	-22°F to 158°F [-30°C to 70°C]
MAX DUTY CYCLE	100% (1 hour @ 100 psi)
INGRESS PROTECTION	IP52 (IP55 w/remote intake)

PNEUMATIC DATA

RATED FLOW	3.4 SCFM
MAX WORKING PRESSURE	150 psi [1034 kPa]
MAX RESTART PRESSURE	5 psi [35 kPa]

ELECTRICAL MOTOR DATA

MOTOR TYPE	Permanent magnet DC
OPERATING VOLTAGE	12 VDC ± 15%
MAXIMUM CURRENT DRAW	42 A
NOMINAL POWER	¾ HP
NOMINAL SPEED	3000 RPM

**Operating life may be dependent on application*

24 VDC SPECIFICATIONS

GENERAL DATA

PART NUMBER	HP10625V-24 (Vertical)
WEIGHT	18.5 lbs [8.39 kg]
AMBIENT TEMPERATURE RANGE	-22°F to 158°F [-30°C to 70°C]
MAX DUTY CYCLE	100% (1 hour @ 100 psi)
INGRESS PROTECTION	IP52 (IP55 w/remote intake)

PNEUMATIC DATA

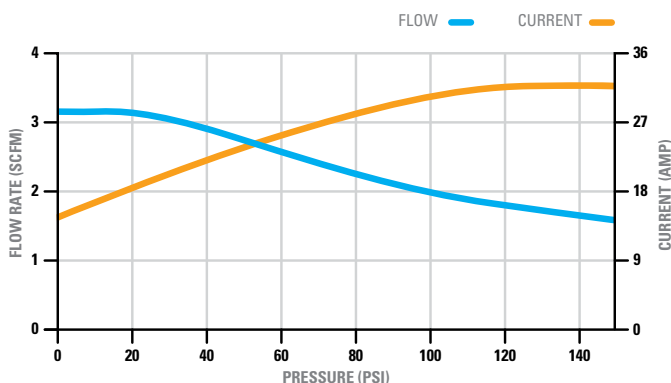
RATED FLOW	3.4 SCFM
MAX WORKING PRESSURE	150 psi [1034 kPa]
MAX RESTART PRESSURE	5 psi [35 kPa]

ELECTRICAL MOTOR DATA

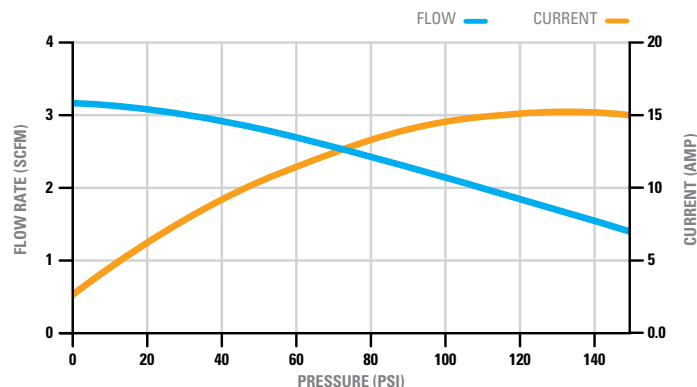
MOTOR TYPE	Permanent magnet DC
OPERATING VOLTAGE	24 VDC ± 15%
MAXIMUM CURRENT DRAW	21 A
NOMINAL POWER	¾ HP
NOMINAL SPEED	3000 RPM

**Operating life may be dependent on application*

HP625 12 VDC - CURRENT & FLOW RATE VS PRESSURE (13.8 VDC)



HP625 24 VDC - CURRENT AND FLOW RATE VS. PRESSURE (27.6 VDC)



HP625 SERIES HORIZONTAL AIR COMPRESSOR (AVAILABLE IN 12 VDC ONLY) DIMENSIONS (IN INCHES)

