

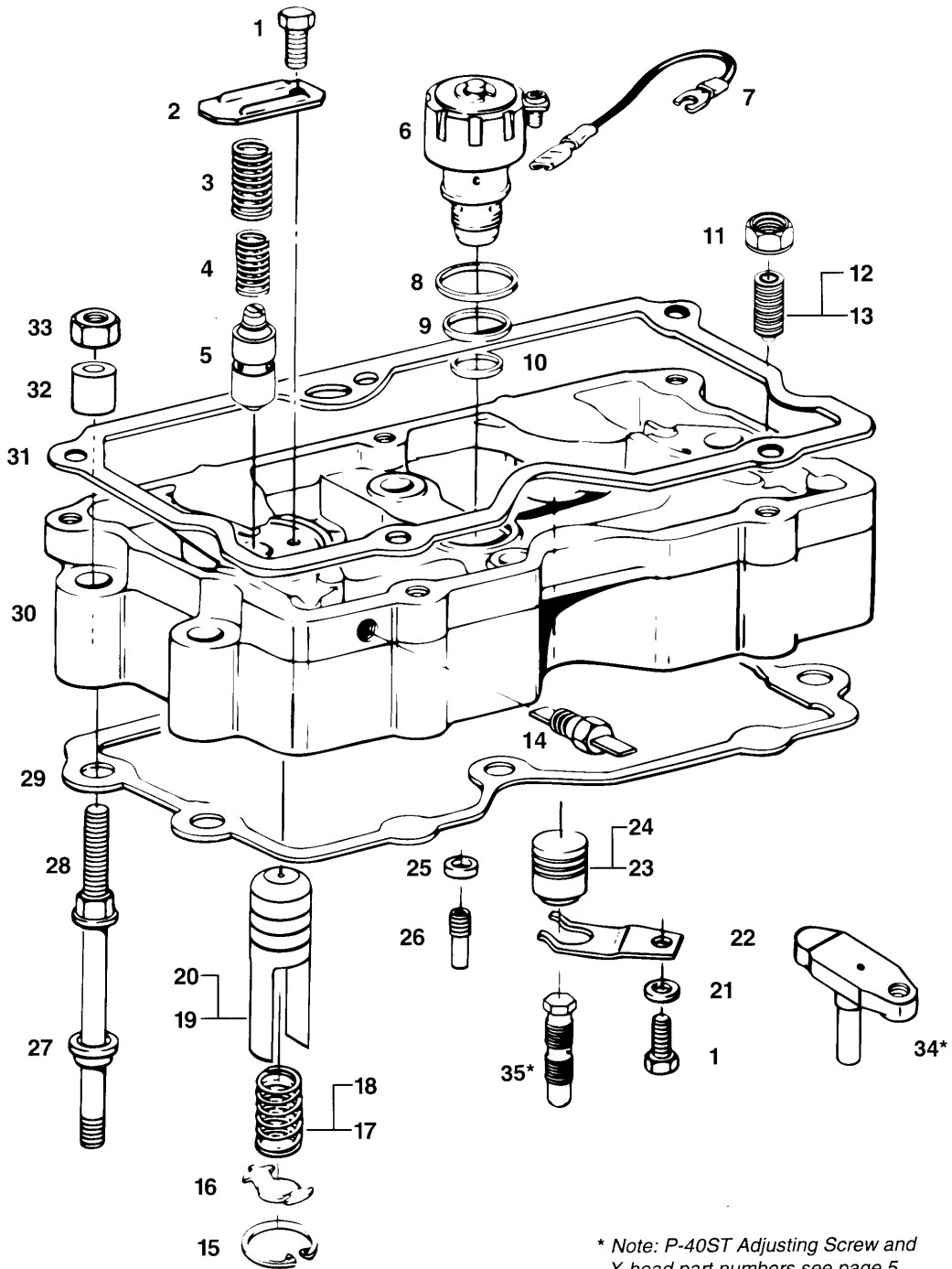
**P-25B, P-26,
P-30E, P-40**

**ENGINE BRAKE
PARTS GUIDE**

APPLICATION | 855 CID CUMMINS ENGINES (EXCEPT 88NT)

PACBRAKE®

P-25B, P-26, P-30E, P-40 HOUSING ASSEMBLY



* Note: P-40ST Adjusting Screw and X-head part numbers see page 5

**P-25B, P-26, P-30E, P-40 HOUSING ASSEMBLY
(REPLACEMENT HOUSINGS ARE OBSOLETE)**

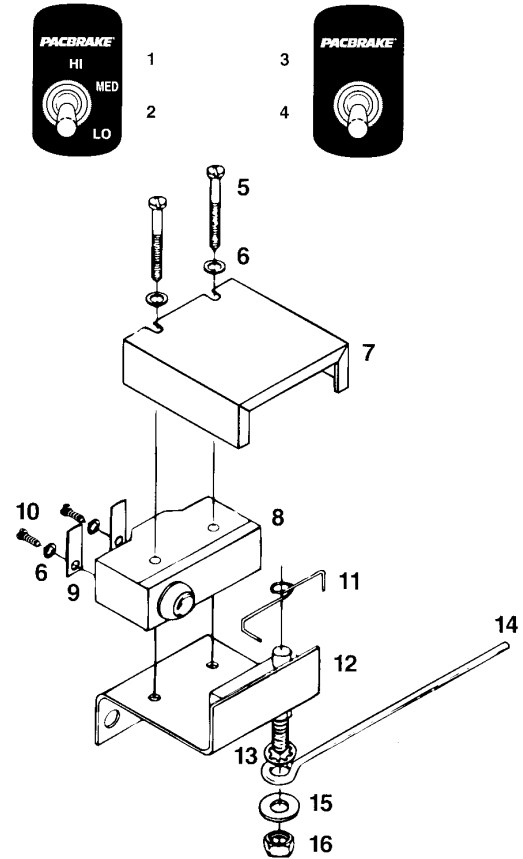
QUANTITY PER HOUSING

#	PART #	DESCRIPTION	P-25B	P-26	P-30E	P-40
1	P01492	CAPSCREW-1/4X1/2 HEXHEAD	4	4	4	4
2	P04136	CONTROL VALVE COVER	2	2	2	2
3	P01519	OUTER CONTROL VALVE SPRING	2	2	2	2
4	P07500	INNER CONTROL VALVE SPRING	2	2	2	2
5	P11930	CONTROL VALVE	2	2	2	2
6	P04205	SOLENOID-12VOLT	1	1	1	1
7	P02390	SOLENOID HARNESS-CUMMINS	1	1	1	1
8	P01081	SOLENOID SEAL-UPPER	1	1	1	1
9	P01082	SOLENOID SEAL-CENTER	1	1	1	1
10	P01083	SOLENOID SEAL-LOWER	1	1	1	1
11	P09353	FLANGED NUT	2	2	2	2
12	P09916	SET SCREW	2	0	2	0
13	PAFLASH - SEE APPLICATION CHART		0	2	0	2
14	P02299	TERMINAL ASSEMBLY	1	1	1	1
15	P01023	RETAINING RING	2	2	2	2
16	P08895	SLAVE PISTON RETAINER	2	2	2	2
17	P01022	SLAVE PISTON SPRING	2	0	2	0
18	P40055	SLAVE PISTON SPRING	0	2	0	2
19	P07623	SLAVE PISTON-CUMMINS	2	0	2	0
20	P40060	SLAVE PISTON P40	0	2	0	2
21	P01030	SPRING RETAINER	2	2	2	2
22	P07447	MASTER PISTON SPRING	2	2	2	2
23	P04089	MASTER PISTON	0	0	2	2
24	P01017	MASTER PISTON-7/8"	2	2	0	0
25	P10180	SEAL-CUMMINS	3	3	3	3
26	P02969	OIL SUPPLY SCREW	3	3	3	3
27	P02514	STUD WASHER	18	18	18	18
28	P01199	STUD ASSY	14	14	14	14
28	P02856	STUD ASSEMBLY	4	4	4	4
29	P02610P	TEAR-OFF GASKET (PAPER)	3	3	3	3
29	P13294	GASKET-CUMMINS (METAL)	3	3	3	3
30	P11894B	HSG BARE (SMALL CAM)	3	3	0	0
30	P09917B	HSG BARE (BIG CAM)	0	0	3	3
31	P04841	VALVE COVER GASKET (CORK)	3	3	3	3
32	P01234	STUD SPACER	4	4	4	4
33	P01094	NUT-1/2" NC, HEAVY HEX	18	18	18	18
34	P38040	X-HEAD (SUB FOR P11573)	6	6	6	6
35	P03678	INJECTOR ADJUSTING SCREW	6	6	6	6

CAB CONTROL GROUPS

P01495 SWITCH ASSEMBLY

#	PART #	DESCRIPTION	QTY
1	P02957	TOGGLE SWITCH-1/2/3	1
2	P60125	SWITCH PLATE	1
3	P01305	SWITCH PLATE-OFF	1
4	P01304	TOGGLE SWITCH - ON/OFF	1
5	P01244	MACHINE SCREW	2
6	P01559	LOCK WASHER	4
7	P01506	SWITCH COVER	1
8	P01218	SWITCH	
9	P01040	TERMINAL	2
10	P01558	MACHINE SCREW 6-32 X 1/4	2
11	P01497	SWITCH SPRING	1
12	P02198	BRACKET & LEVER ASSEMBLY	1
13	P02191	LOCK WASHER	1
14	P02183	SWITCH LEVER	1
15	P02190	FLAT WASHER-1/4"	1
16	P02186	NUT-1/4" HEX NF	1
Ni.	P01300	FUSE HARNESS	1

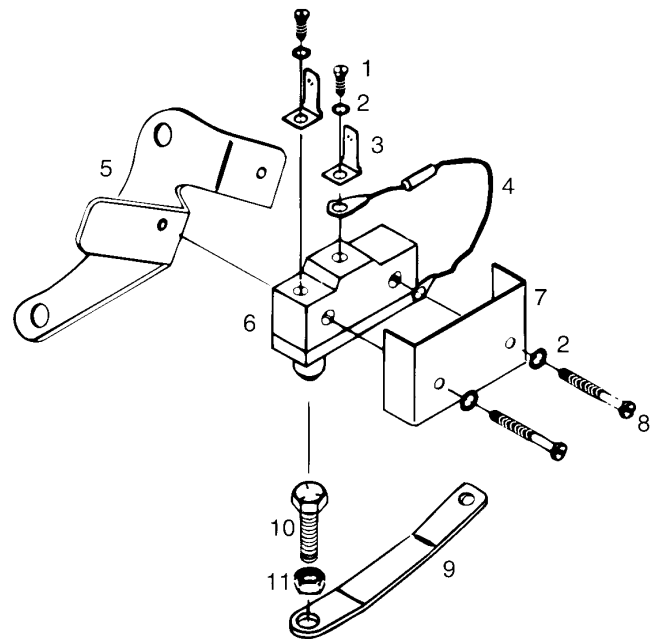


ENGINE CONTROL GROUP

P01219 THROTTLE SWITCH ASSEMBLY

#	PART #	DESCRIPTION	QTY
1	P01558	MACHINE SCREW 6-32 X 1/4	2
2	P01559	LOCK WASHER	4
3	P01512	TERMINAL	2
4	P01534	DIODE	1
5	P01178	SWITCH BRACKET	1
6	P01218	SWITCH	1
7	P01180	SWITCH COVER	1
8	P01244	MACHINE SCREW	2
*9	P01179	ACTUATOR ARM	1
*10	P01182	SUPERSEDED TO C10465	1
*11	P01181	NUT-HEX	1

*NOT INCLUDED WITH P01219 KIT



PACBRAKE[®]

L1009

APPLICATION GUIDE FOR NH/NT CUMMINS ENGINES

ENGINE TYPE	PACBRAKE MODEL					P-26 & P-40 SCREW INFORMATION			
	P-25B	P-26	P-30E	P-40	P-40ST	SCREW KIT PART#	SCREW EA PART#	COLOR	PROTRUSION
SMALL CAM NH/NT SINGLE ENTRY TURBO	X								
DIVIDED ENTRY TURBO		X				P40076	P40072	RED	.114
BIG CAM I SINGLE ENTRY TURBO			X	X		P40074	P40070	BLUE	.091
DIVIDED ENTRY TURBO				X		P40075	P40071	NATURAL	.106
BIG CAM II SINGLE ENTRY TURBO			X	X		P40074	P40070	BLUE	.091
DIVIDED ENTRY TURBO				X		P40075	P40071	NATURAL	.106
BIG CAM III SINGLE ENTRY TURBO			X	X		P40074	P40070	BLUE	.091
DIVIDED ENTRY TURBO				X		P40075	P40071	NATURAL	.106
BIG CAM IV SINGLE ENTRY TURBO			X	X		P40074	P40070	BLUE	.091
NEW BIG CAM IV FIXED TIMING CPL 0832			X	X		P40074	P40070	BLUE	.091
CPL 0796			X	X		P40074	P40070	BLUE	.091
CPL 0797			X	X		P40074	P40070	BLUE	.091
* NEW BIG CAM IV (STEPPED TIMING)					X	P40076	P40072	RED	.114
BIG CAM IV MVT & NTC 475				X		P40076	P40072	RED	.114

NOTE: P-40 BRAKE KITS are packaged without BRAKE ADJUSTING SCREWS and LOCKNUTS. These SCREW KITS are purchased according to application.

P/N P40081 6-PAC KIT IS AVAILABLE TO CONVERT MODEL P-30E ENGINE BRAKES TO MODEL P-40 FOR USE WITH DIVIDED ENTRY TURBO APPLICATIONS ON BIG CAM I THROUGH BIG CAM IV-CONSULT FACTORY FOR MORE APPLICATION AND PARTS BREAKDOWN INFORMATION.

P/N P40082 6-PAC KIT IS AVAILABLE TO CONVERT MODEL P-25 B TO P-26 FOR USE ON DIVIDED ENTRY TURBO APPLICATIONS ON SMALL CAM ENGINES.

* P-40 ST (STEPPED TIMING) KIT INCLUDES:
 1-P07105 INTERFACE GROUP
 6-P14873 X HEAD
 6-P07115 INJECTOR ADJUSTING SCREW

WIRING DIAGRAM

