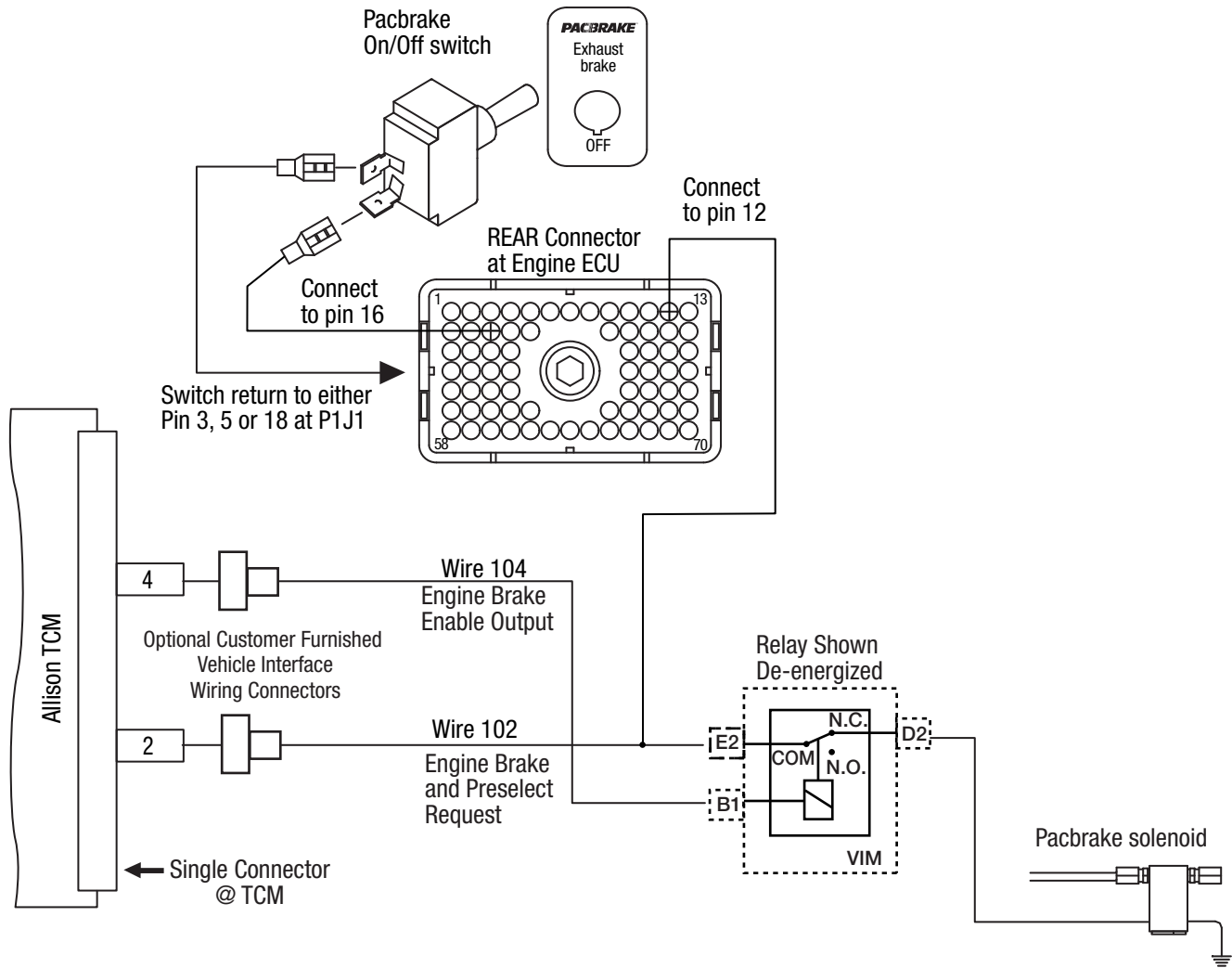


CATERPILLAR 3126E C-7, C-9 Only - with VIM

For vehicles:

(WITH) Allison 4th Gen 3000 transmissions with VIM (WITH or WITHOUT) ABS braking (WITH) on-board air system



4th Generation Allison controls have the ability to be programmed to communicate the downshift and torque converter unlock features over the Data-link J1939. Doing so eliminates the need to hard wire the exhaust brake circuit to the transmission ECU, the exhaust brake circuit only needs to be hard wired with the engine ECU. Consult your closest Caterpillar or Allison dealer for a quote, Pacbrake offers an interface kit C13074 if hard wiring is your preference.

The switch input at J1/P1:16 requires that the "Exhaust Brake Switch" be programmed to "Installed". The Parameter "Exhaust Brake Warm-Up Configuration" must be programmed to "Exhaust Brake Only" or "Exhaust Brake & Warm-up".

Early 2002 production 3126E engines have the ability to be programmed to allow the exhaust brake to assist the engine in warming up faster in cold weather. Program, customer parameter to "Exhaust Brake and Warm-up" and program warm-up mode IDLE speed to 1100 RPM.

NOTE:

- * View shown is looking at the harness side of the connector.
- Relays shown are de-energized.
- Information for this schematic was derived from vehicle systems at the date of this printing.
- Updates or variations by vehicle manufacturers constituting changes will not be the responsibility of Pacbrake.