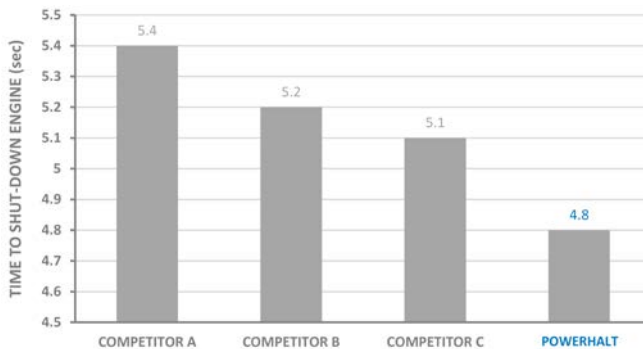


PH2 Product Data Sheet

- Reliable and safe emergency shut down for diesel engines
- Multiple activation methods with operator friendly manual reset
- Optional smart controller with IP67 protection and low power consumption
- Enclosed drive system is debris and corrosion resistant
- Highly durable O-ring material providing near zero leakage when shut
- Designed for a wide range of temperatures
- Robust design; Tested to MIL-STD-810G vibration and 10,000 activations
- Corrosion tested to ASTM B117, 96 hours salt fog
- Wide range of sizes available



Product Description

Maximum Intake Boost Air Pressure 2.76 bar(gauge) [40 psig]
Continuous Intake Air Temperature -55°C to +200°C [-67°F to +392°F] *(depending on seal selection)*
Ambient Temperature Range -40°C to +120°C [-40°F to +248°F] *(depending on actuator)*

Valve Operation Energize to close

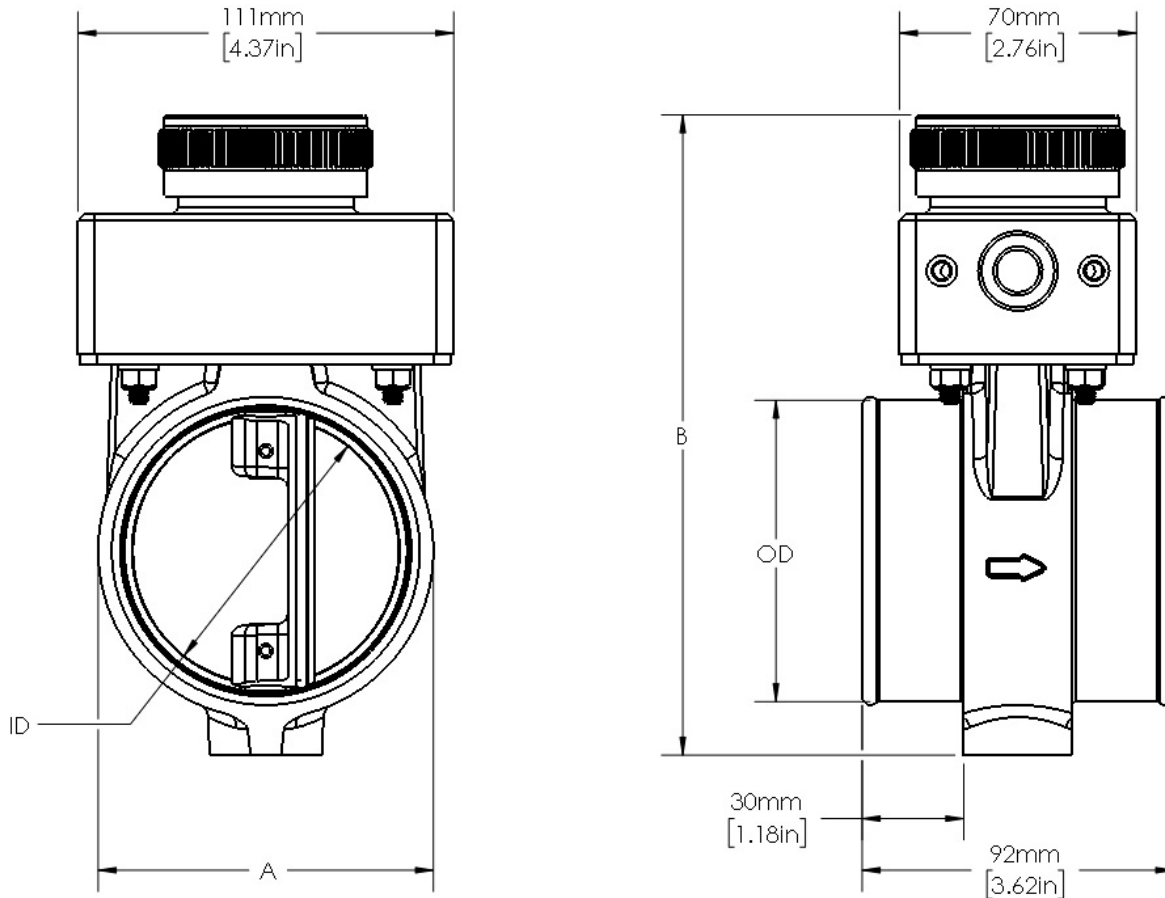
Standard Mounting Options Hoses and clamps (139.7 mm [5.5 in] nominal valve size comes with M6x1x8 mounting holes for optional additional support)

Pipe Sizes Supported Ø64 mm to Ø140 mm [Ø2.5 in to Ø5.5 in]

Seal Selections

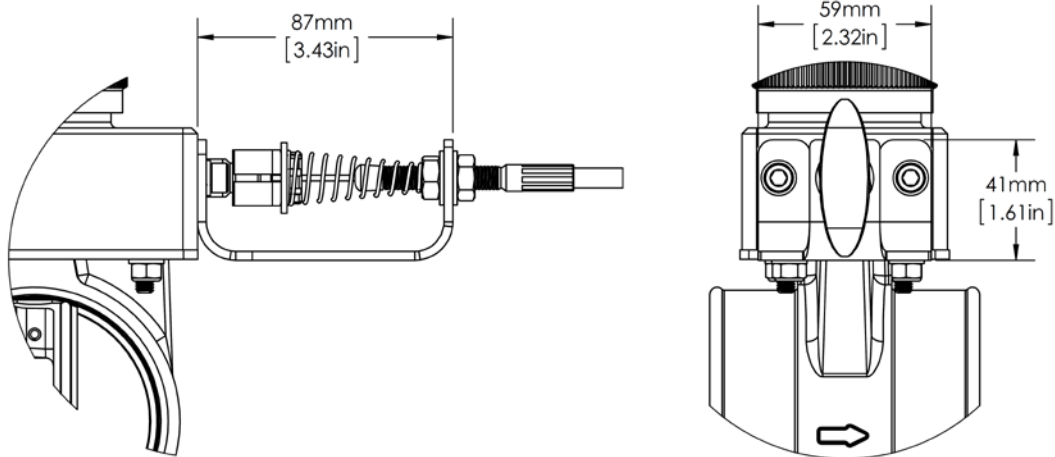
Material	Continuous Intake Air Temperature
Buna-N	-50°C to +130°C [-58°F to +266°F]
Viton	-20°C to +200°C [-4°F to +392°F]
Fluorosilicone	-55°C to +200°C [-67°F to +392°F]

Physical Characteristics



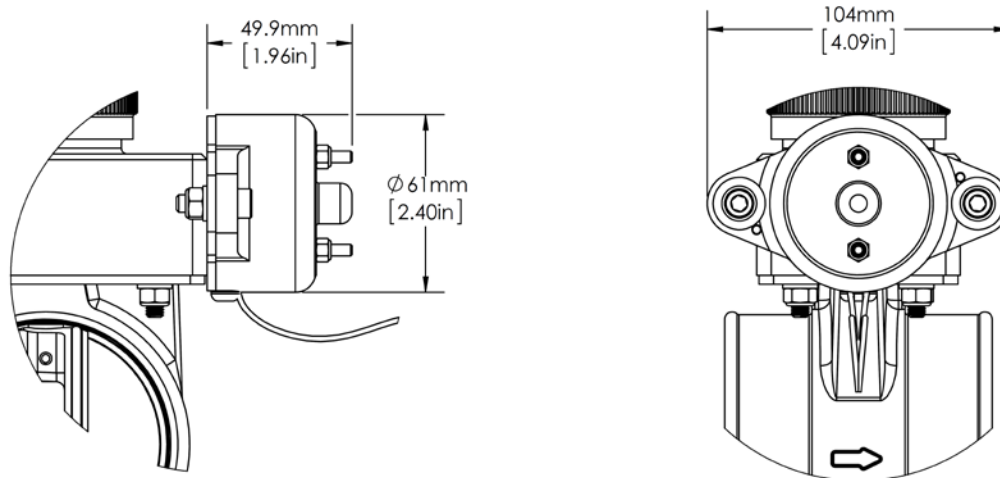
Nominal Valve Size [OD]	Valve Core Dimensions			Weight
	Bore [ID]	Width [A]	Height [B]	
71.0 mm [2.8 in]	58 mm [2.28 in]	81 mm [3.19 in]	176.3 mm [6.94 in]	1.46 kg [3.25 lb]
76.2 mm [3.0 in]	63 mm [2.48 in]	81.5 mm [3.20 in]	179.3 mm [7.05 in]	1.48 kg [3.26 lb]
89mm [3.5 in]	78.5 mm [3.09 in]	99 mm [3.89 in]	189.1 mm [7.44 in]	1.55 kg [3.41 lb]
102 mm [4.0 in]	91.5 mm [3.60 in]	112 mm [4.41 in]	202.1 mm [7.95 in]	1.64 kg [3.61 lb]
127 mm [5.0 in]	116.5 mm [4.59 in]	134 mm [5.27 in]	227 mm [8.94 in]	1.75 kg [3.86 lb]
139.7 mm [5.5 in]	126.5 mm [5.1 in]	151 mm [5.9 in]	238.1 mm [9.37 in]	1.96 kg [4.32 lb]

Single Pull Cable Activation



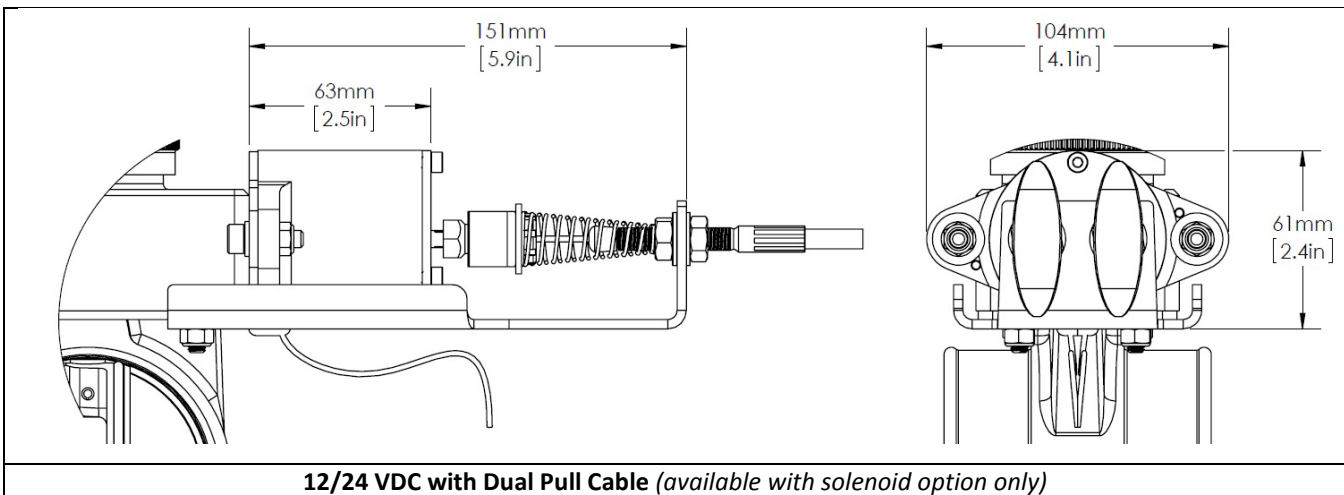
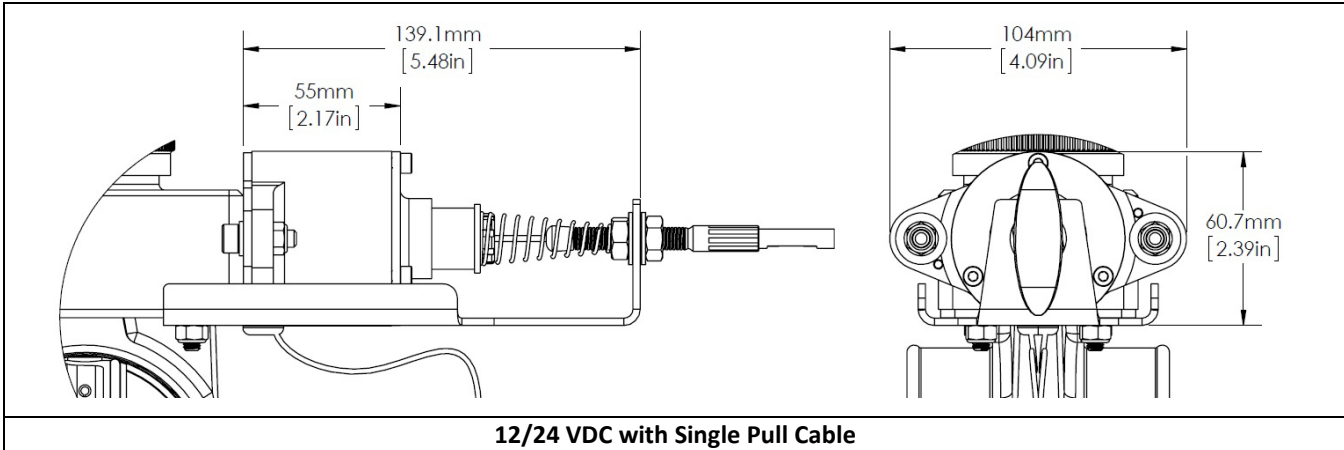
Cable Activation Pull Force	90 N [20.2 lbf]
Minimum Stroke for Activation	12 mm [0.47 in]
Activation	Pull to close
Actuator Weight (Cable Weighed Separately)	0.24 kg [0.53 lb]

12/24 VDC Electric Activation



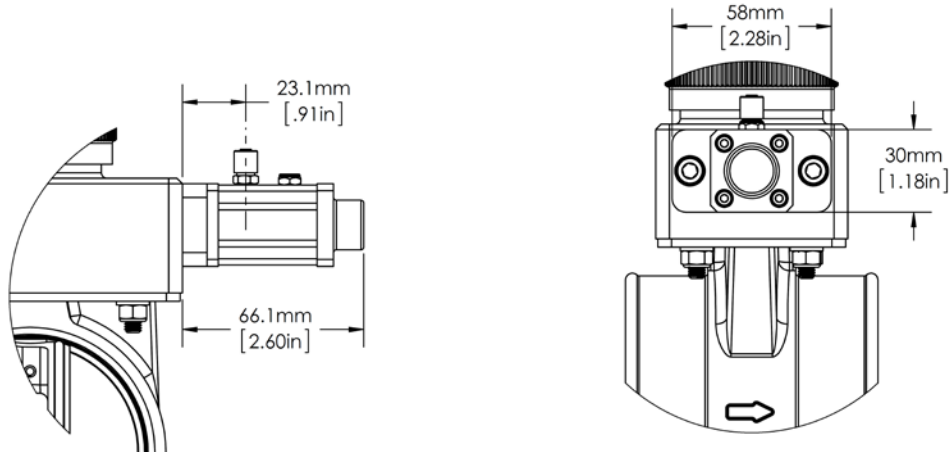
Voltages	12 VDC	24 VDC
Resistance	1.7 Ω +/- 10%	3.9 Ω +/- 10%
Duty cycle	10 sec ON / 90 sec OFF	10 sec ON / 90 sec OFF
Activation	Power to close	Power to close
Electrical Connector	Metri-Pack, 280 Series Female, 2 Pin (Delphi # 15300027)	Metri-Pack, 280 Series Female, 2 Pin (Delphi # 15300027)
Actuator Weight	0.84 kg [1.9 lb]	0.84 kg [1.9 lb]

12/24 VDC Electric Solenoid with Single/Dual Pull Cable Activation



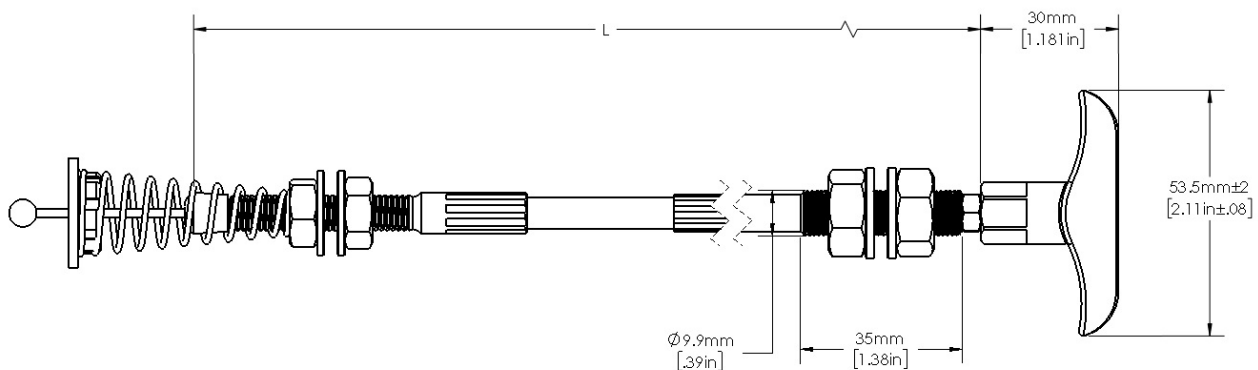
Pull Cable Configuration		
No. of cables	Single	Dual
Cable Activation Pull Force	90 N [20.2 lbf]	98 N [22 lbf]
Minimum Stroke for Activation	12 mm [.47 in]	12 mm [.47 in]
Activation	Pull to close	Pull to close
Electrical configuration		
Voltages	12 VDC	24 VDC
Resistance	1.7 Ω +/- 10%	3.9 Ω +/- 10%
Duty cycle	10 sec ON / 90 sec OFF	10 sec ON / 90 sec OFF
Activation	Power to close	Power to close
Electrical Connector	Metri-Pack, 280 Series Female, 2 Pin (Delphi #15300027)	Metri-Pack, 280 Series Female, 2 Pin (Delphi #15300027)
Actuator Weight (Cable Weighed Separately)	0.96 kg [2.1 lb]	1.08 kg [2.4 lb]

Pneumatic Activation



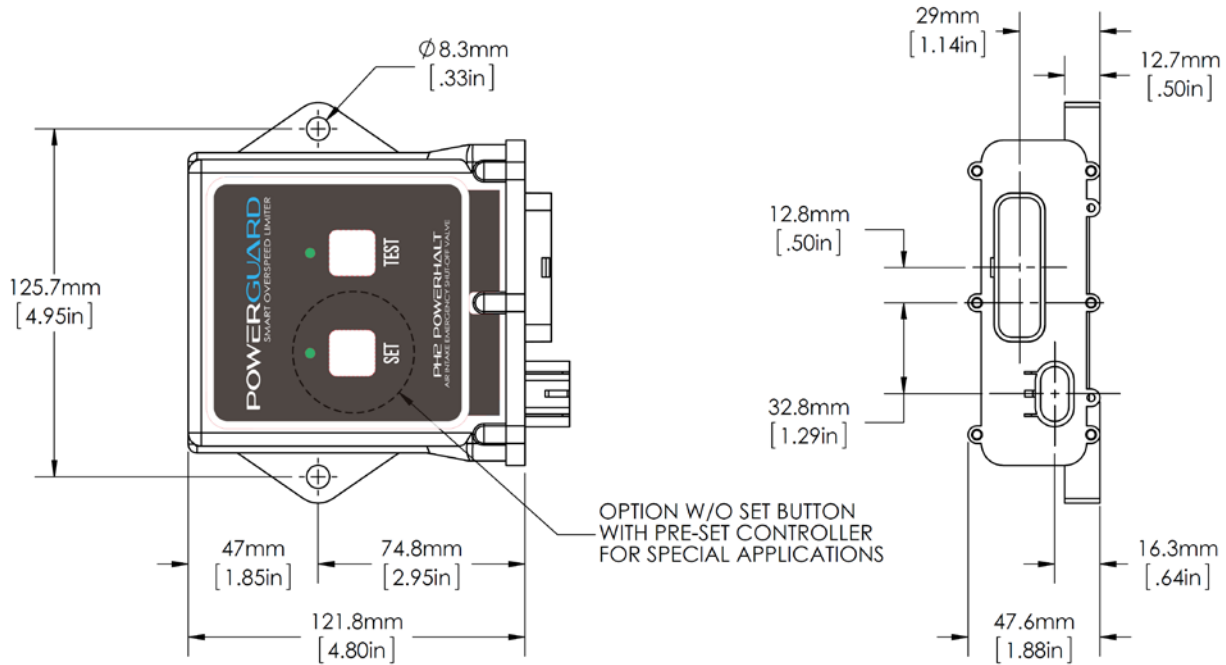
Minimum Air Supply Pressure for Activation	4.1 bar(gauge) [60 psig]
Maximum Air Supply Pressure	10 bar(gauge) [145 psig]
Pneumatic Cylinder Temperature Range	-40°C to +70°C [-40°F to +158°F]
Pneumatic Connection	Tube: 6 mm OD, 4 mm ID, nylon, soft nylon, or polyurethane
Air System Cleanliness	Contaminant particle size < 40 µm [.16 µin]
Activation	Provide pressure to close valve
Actuator Weight	0.20 kg [0.44 lb]

Pull Cable



Minimum Cable Bending Radius	90 mm [3.54 in]					
Cable Lengths [L]	mm	610	1220	1830	2440	3050
	ft	2	4	6	8	10
Default Position	Handle retracted					
Cable Weight (Reference)	0.29 kg [0.64 lb] for 1830 mm [6 ft] Length					
Total degrees of all bends	360° maximum					
Through-hole size	11 mm [7/16 in]					

Digital Controller



Controller Housing Material Compliance	J1455 (-40°C to +85°C) [-40 F to +185 F]
Controller Voltage	12/24 VDC
Maximum Relay Rating	20 A@28 VDC
Power Consumption	30 mA max continuous
Ingress Protection Rating	IP67

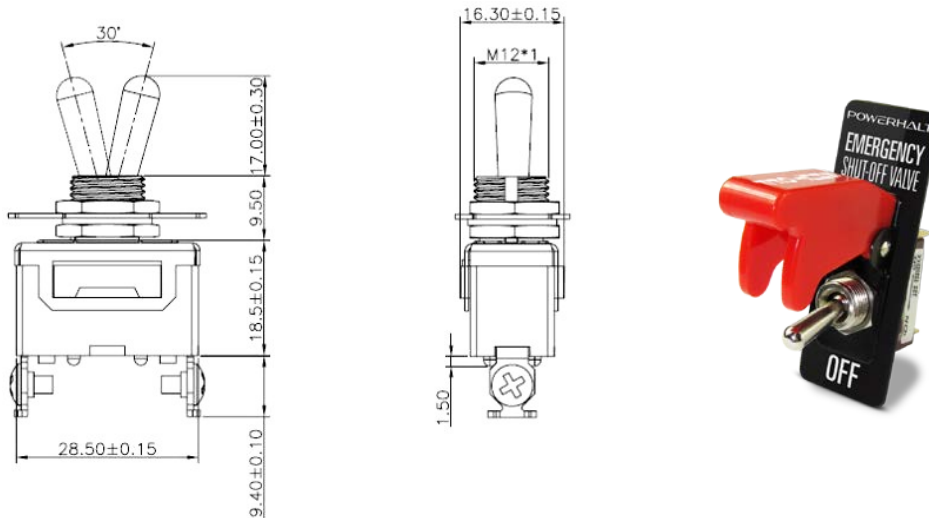
Magnetic Pickup – Gear Tooth Sensor

Sizes Available

Thread Size	Length	Installation Torque
3/8 - 24 UNF	51 mm [2 in]	5.1 ± 0.3 Nm [45 ± 3 in-lbf]
3/8 - 24 UNF	76 mm [3 in]	5.1 ± 0.3 Nm [45 ± 3 in-lbf]
5/8 - 18 UNF	51 mm [2 in]	25.8 ± 1.4 Nm [19 ± 1 ft-lbf]
3/4 - 16 UNF	64 mm [2.5 in]	81.3 ± 2.7 Nm [60 ± 2 ft-lbf]

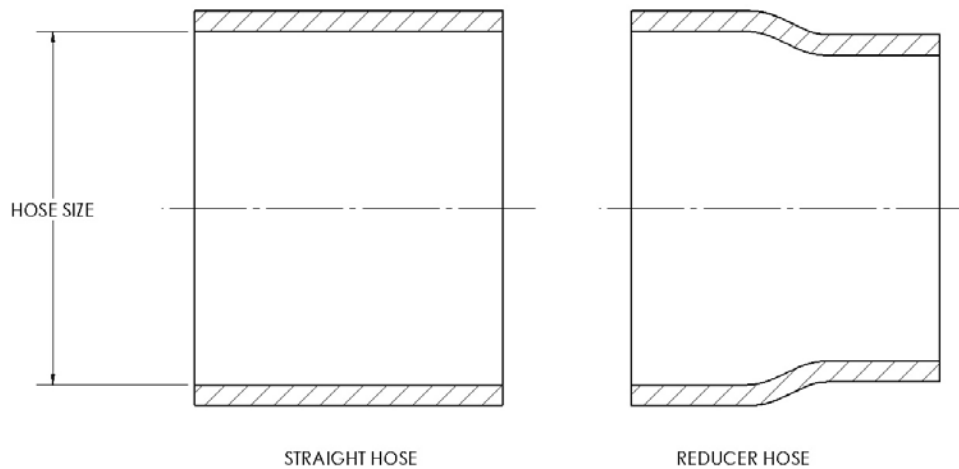
Temperature Range	-40°C to +105°C [-40°F to +221°F]
Signal Output	0 VDC to 5 VDC TTL
Connector	Weather-Pack, Male, 3 Pin (Delphi # 12010717)

Toggle Switch



Thru-Hole Drill Size		12.7 mm [0.5 in]
Temperature Rating		-25°C to +80°C [-13°F to +176°F]
Current Rating	12 VDC	6.25 A
	24 VDC	3.13 A

Hoses



Temperature Rating	-55°C to +175°C [-67°F to +347°F]
Pressure Rating	Conforms to SAE J20 (20R1 HD SW)
Hose Sizes	63 mm to 140 mm [2.5 in to 5.5 in]

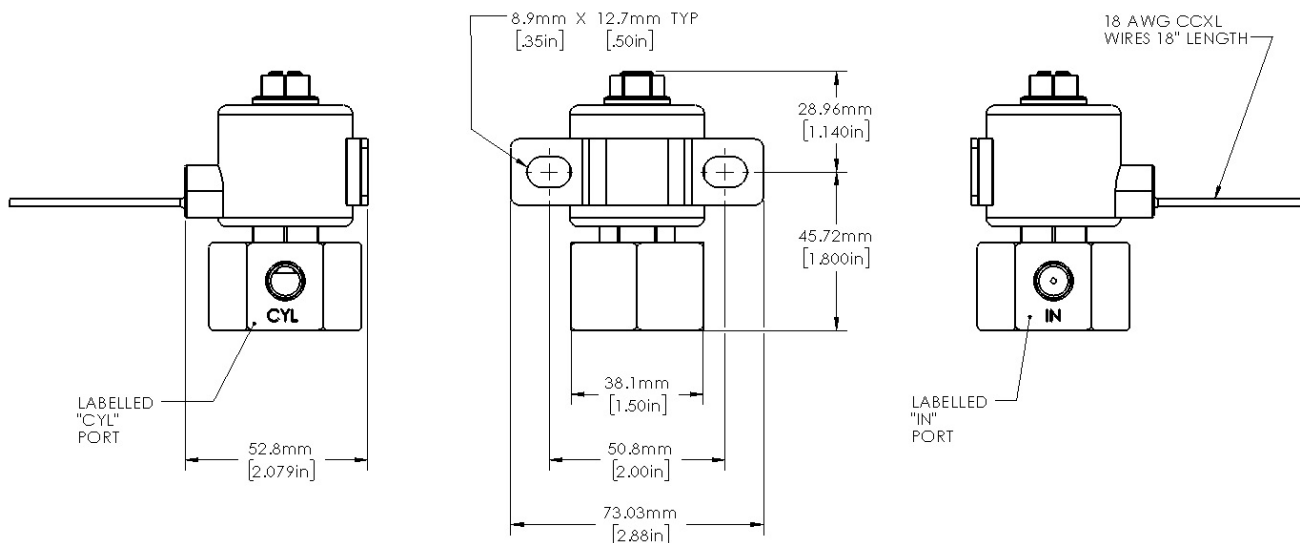
Clamps

Description	Spring Loaded T-Bolt, Heavy Duty/ SAE J1508 Type SLTB												
	Clamp, spring loaded constant tension gear/SAE J1508 Type SLF												
SAE Sizes	64	68	76	84	92	102	112	116	124	136	140	148	154
Size Range	73 mm to 152 mm [2.88 in to 6 in]												
Installation Torque	7.9 Nm [70 in-lbf]												

Wiring Harness

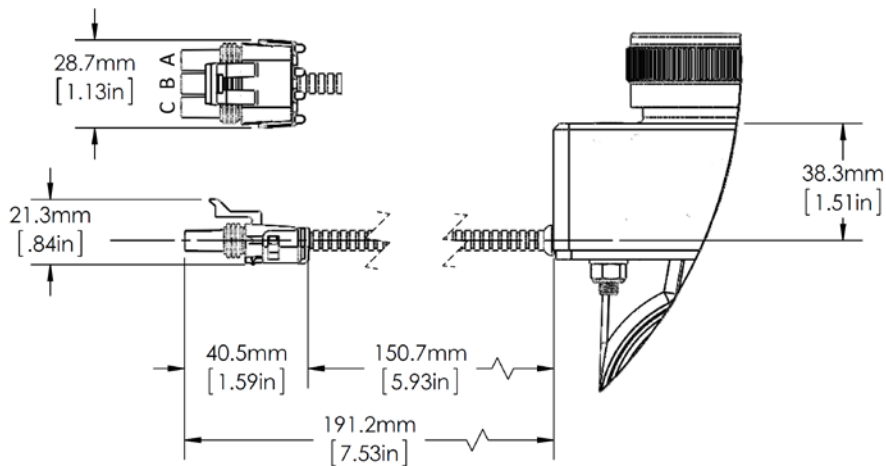
Temperature Rating	-40°C to +85°C [-40°F to +185°F]
Sealed Connectors	Yes

Pneumatic Solenoid for Pneumatic Activation



Temperature Rating	-40°C to +85°C [-40°F to +185°F]	
Air Pressure	10.34 bar (gauge) [150 psig] max operating pressure	
Nominal Voltage	12 VDC	24 VDC
Current Rating	1.5 A max	0.8 A max
Connector	Metri-Pack 280 (Delphi # 15300027)	
Port thread	IN	1/8 NPT
	CYL	1/8 NPT

Position Feedback Option



Pinout	A = NC	B = COM	C = NO
Current Rating	3.0 A @ 30 VDC		3.0 A @ 125 VAC
Connector	Weather-Pack, Female, 3 Pin (Delphi #12015793)		

Applications

- Lighting Units
- Bulk Haulers
- Grain Processing Plants
- Refinery Processing
- Fueling Vehicles
- Pump Trucks
- Ambulances
- Tankers
- Cranes
- Vehicles
- Tow Vehicles
- Fire Trucks
- Lighting Trucks
- Power Generators
- Forklifts
- Underground Equipment
- Support Vehicles
- Vacuum Trucks
- Frack Trucks
- Drilling Rigs
- Work Boats
- Barges
- Welders