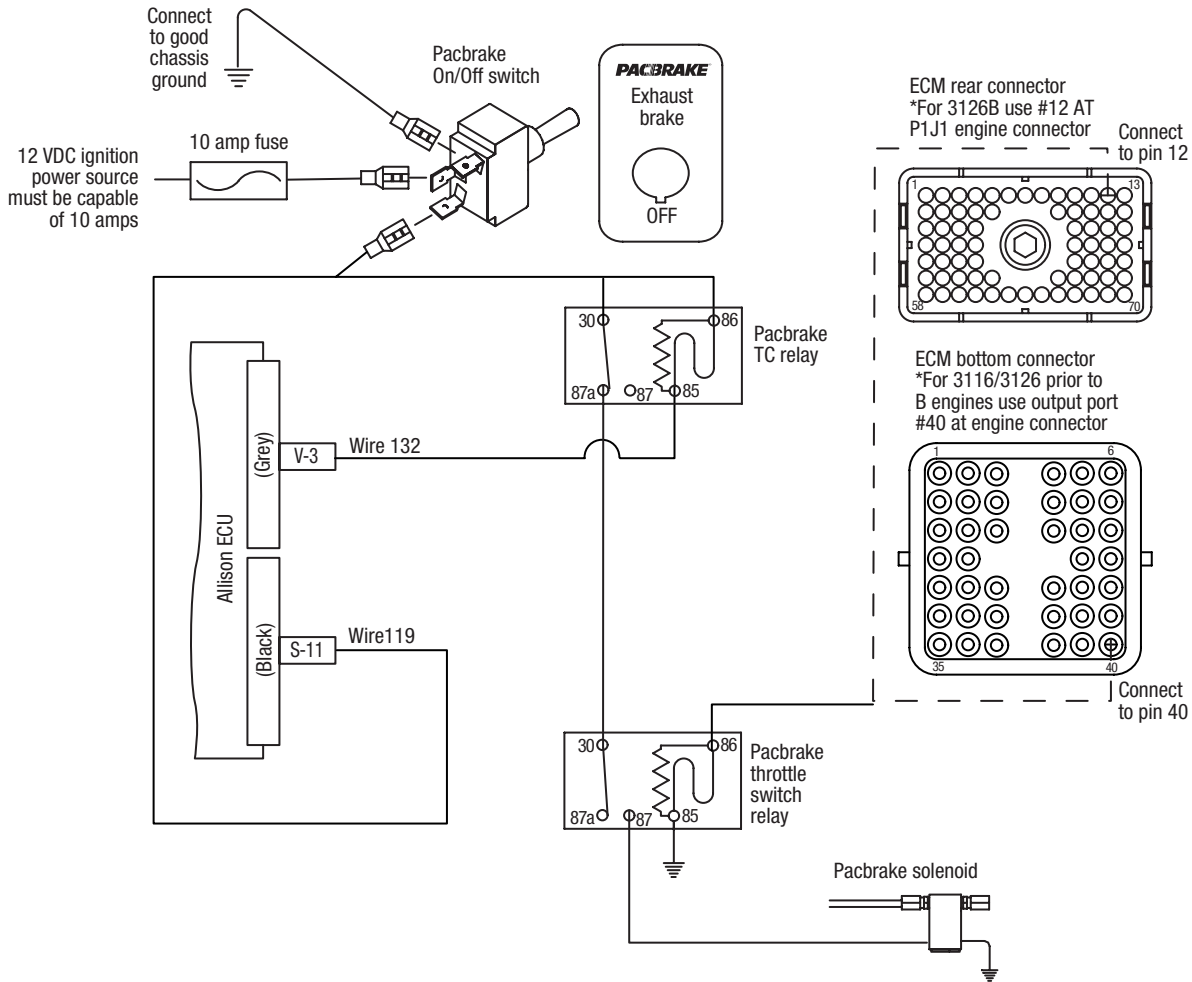


PACBRAKE EXHAUST BRAKE WIRING SCHEMATIC FOR:

CATERPILLAR 3116/3126/3126B without VIM

For vehicles: (WITH) Allison WTEC III MD 3060 transmissions (WITH or WITHOUT) ABS braking (WITH) on-board air system

Note: Do not use on vehicles equipped with Allison 4th Generation Transmissions, they are identified by one connector at the transmission ECU, consult Pacbrake factory



NOTE:

- * View shown is looking at the harness side of the connector.
- Relays shown are de-energized.
- Information for this schematic was derived from vehicle systems at the date of this printing.
- Updates or variations by vehicle manufacturers constituting changes will not be the responsibility of Pacbrake.

