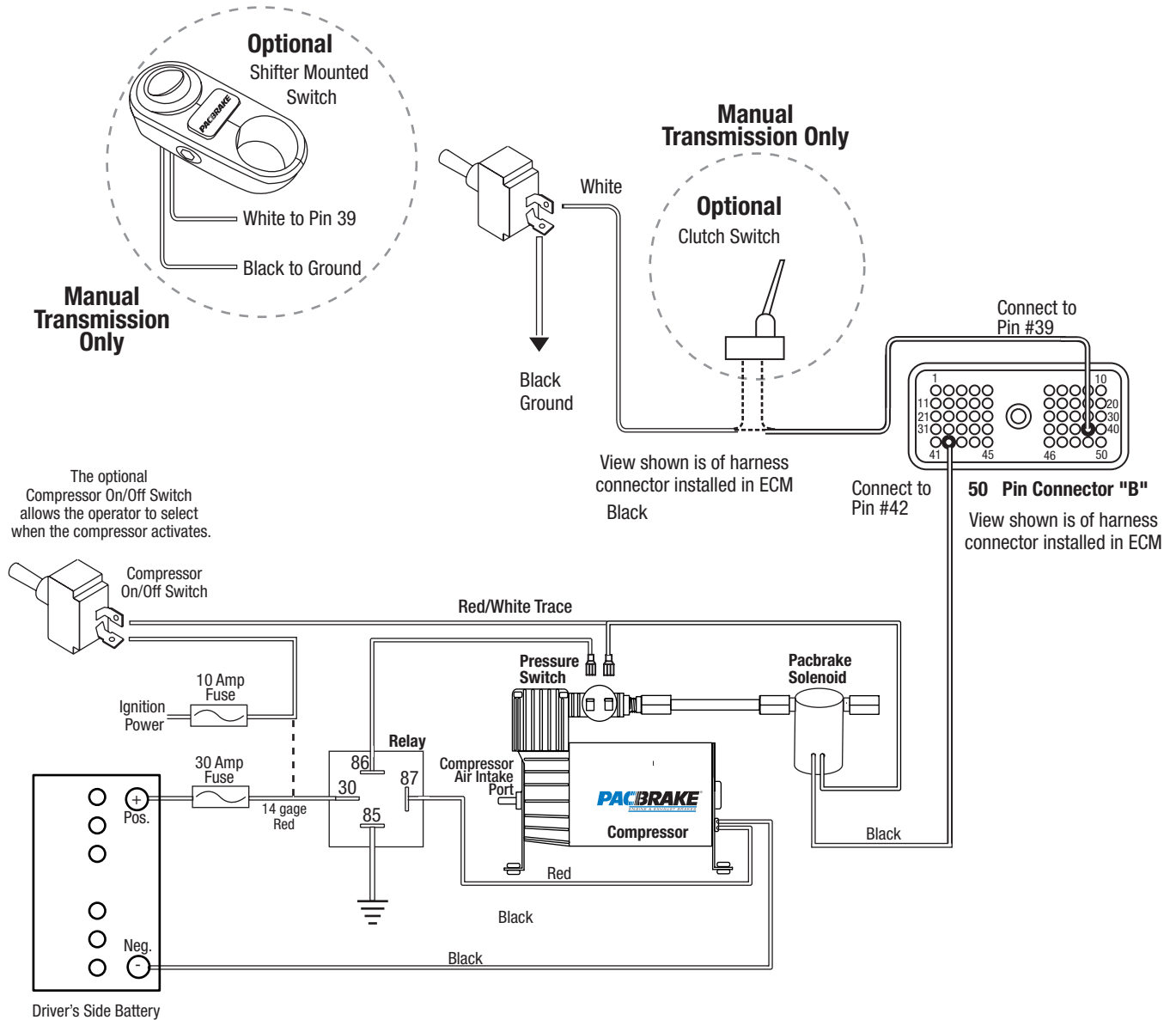


Pacbrake Exhaust Brake Wiring Schematic For:

OPTIONAL DODGE COMPRESSOR WIRING

For Use With Air Tank And A Separate Switch To Activate the Air Compressor.



NOTE: Compressor assemblies built prior to January 1 2005 are wired differently than shown in this schematic. Please visit our website to view previous schematic: www.pacbrake.com. (Service Bulletin #177)