

P-14A

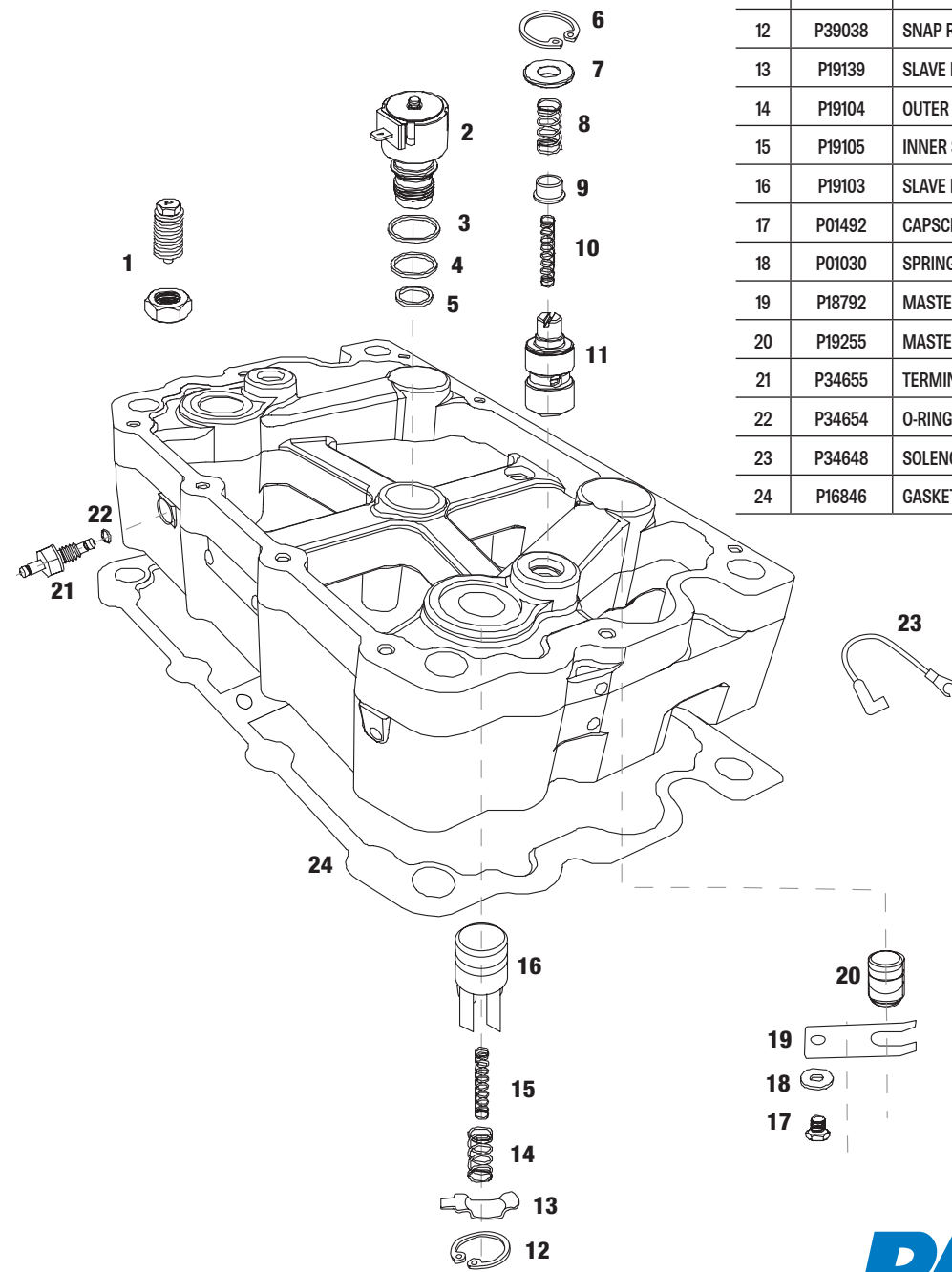
ENGINE BRAKE PARTS GUIDE

APPLICATION | CUMMINS N-14

PAC  **BRAKE**[®]

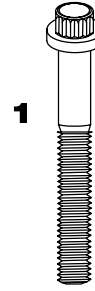
P-14A - P14009 HOUSING ASSEMBLY

#	PART #	DESCRIPTION	QTY
1	P14008	PACLASH ADJUSTING SCREW-P14	2
2	P04205	SOLENOID-12VOLT	1
3	P01081	SOLENOID SEAL-UPPER	1
4	P01082	SOLENOID SEAL-CENTER	1
5	P01083	SOLENOID SEAL-LOWER	1
6	P15561	SNAP RING	2
7	P38015	PLAIN WASHER	2
8	P11436	OUTER CONTROL VALVE SPRING	2
9	P14100	COLLAR	2
10	P11437	INNER CONTROL VALVE SPRING	2
11	P11930	CONTROL VALVE	2
12	P39038	SNAP RING	2
13	P19139	SLAVE PISTON SPRING RETAINER	2
14	P19104	OUTER SLAVE PISTONSPRING-N14	2
15	P19105	INNER SLAVE PISTON SPRING-N14	2
16	P19103	SLAVE PISTON-N14	2
17	P01492	CAPSCREW-1/4X1/2 HEXHEAD	2
18	P01030	SPRING RETAINER	2
19	P18792	MASTER PISTON SPRING-455B/C	2
20	P19255	MASTER PISTON	2
21	P34655	TERMINAL	1
22	P34654	O-RING - VITON	1
23	P34648	SOLENOID HARNESS	1
24	P16846	GASKET (METAL)	1



ATTACHING GROUP

#	PART #	DESCRIPTION	QTY
1	P19295	CAPSCREW	18



ELECTRICAL GROUP

#	PART #	DESCRIPTION	QTY
1	P20800	HARNESS P-14	1



OPTIONAL ITEMS

#	PART #	DESCRIPTION	QTY
1	P60125	SWITCH PLATE HI/MED/LO	1
2	*P02987	SWITCH HI/MED/LO	1
3	P01305	SWITCH PLATE ON/OFF	1
4	*P01314	SWITCH ON/OFF	1
5	P11494	SOLENOID SOCKET	1
6	P30870	FEELER GAGE - .023"	1

* NOTE: THIS APPLICATION REQUIRES SWITCHES TO HAVE GOLD CONTACTS

